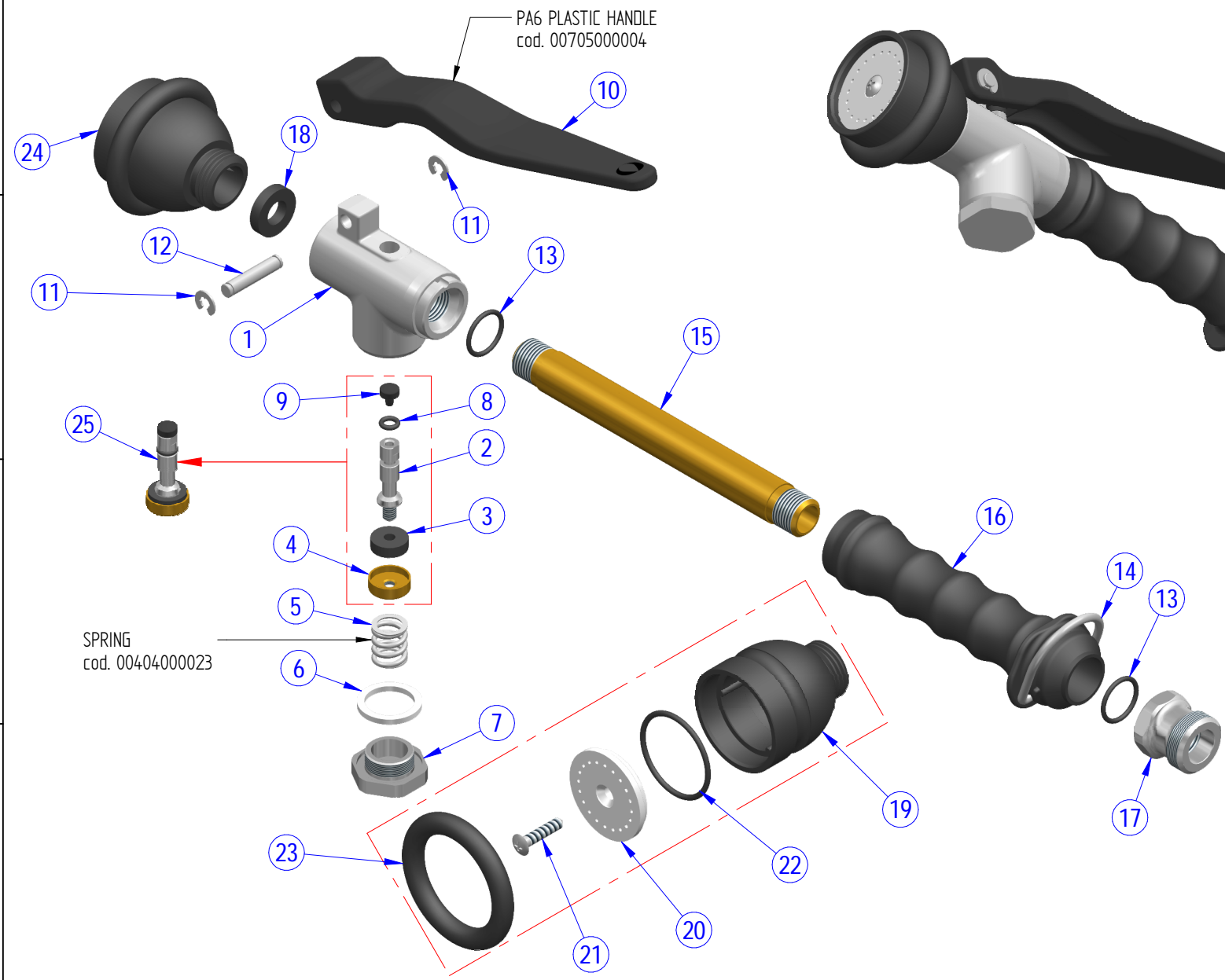
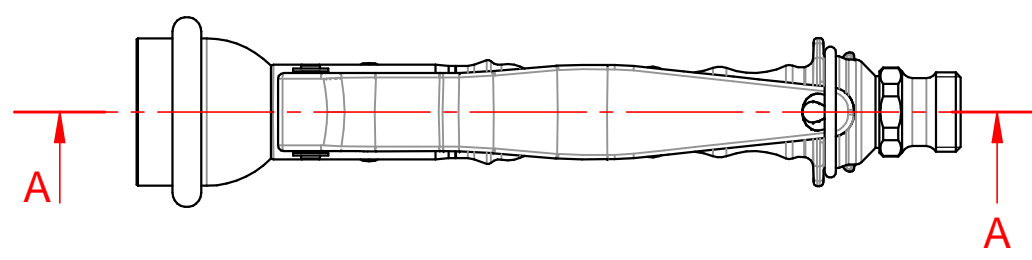
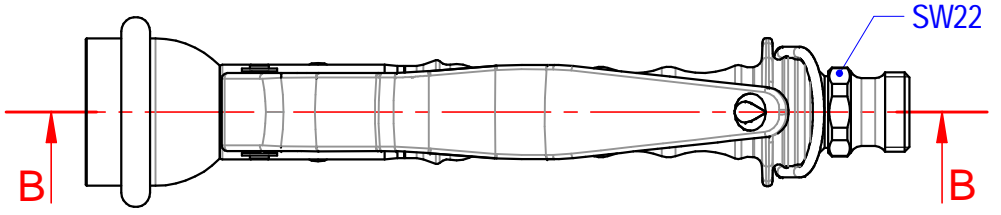
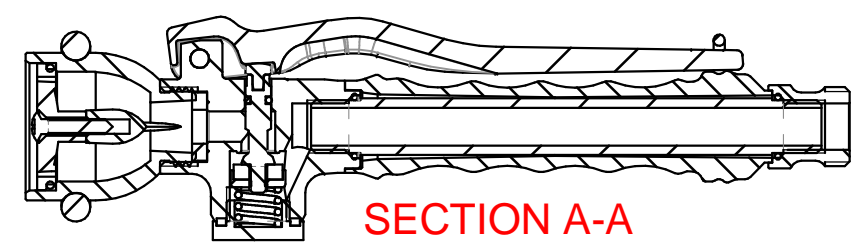
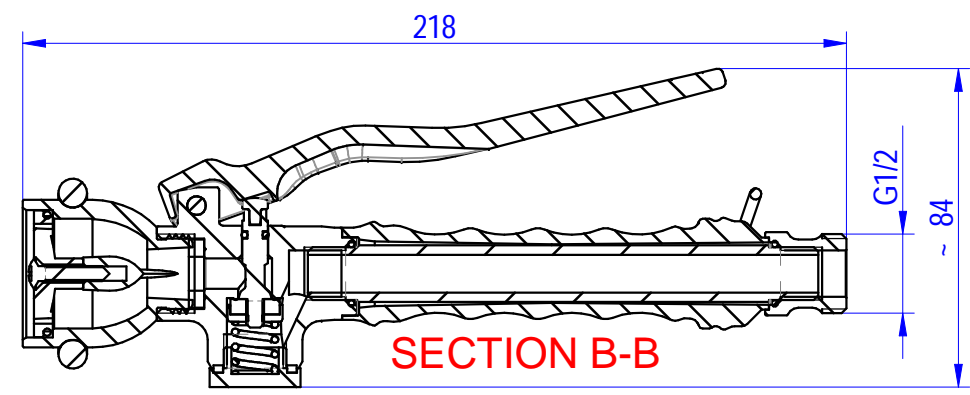


1 2 3 4 5 6 7 8

00			PICCOLO M.	PICCOLO M.
rev.	CHANGE DESCRIPTION	DATE	DRAWN	VALIDATE



Shares without tolerance according to standard UNI-EN-22768-1-m		DESCRIPTION	CODE
SIZE	A3	BASIC SHOWER	00502000035
DATE	11-10-2021		WEIGHT
DRAWN	PICCOLO M.		0, Kg
VALIDATE	PICCOLO M.	 DESIGN AND TECHNOLOGICAL RESEARCH FOR WATER	
VIA DELL'ARTIGIANO 8/F-8-G, 31050 MONASTIER di TREVISO (TV) tel: 0422 842157 - fax: 0422 708978			
DONE WITH DESIGN CAD - PROHIBITED THE CHANGES MANUAL			

1 2 3 4 5 6 7 8